

# / BROKK 500

The Brokk 500 demonstrates 40% more demolition power than its predecessor, the Brokk 400. With its new reinforced design and extended reach, it sets a new industry standard for power-to-size ratio in its segment. In addition, new technology allows for the use of heavier attachments such as the powerful BHB 705 breaker, despite its weight and size being nearly the same as the Brokk 400. When it comes to the Brokk 500, more really is more.

- 40% more demolition power with the BHB 705 breaker
- Extended working reach and radius
- 41 kW Brokk SmartPower™ electrical system
- Compatible with all Brokk 400 attachments



Hydraulic breaker in images: BHB 705. Concrete crusher in image: CC700.  
Load and stability diagram available on request



## TECHNICAL DATA

<b>Slewing speed</b>	16 sec/360°
<b>Transport speed, max.</b>	1.8 km/h; 1.1 mph
<b>Climbing inclination, max.</b>	30°
<b>Hydraulic system capacity</b>	145 l; 38 US gal
<b>Pump type</b>	Variable load-sensing
<b>System pressure</b>	18 MPa; 2611 psi
<b>Increased pressure to attachment</b>	24 MPa; 3481 ps
<b>Pump flow 50 Hz</b>	115 l/min; 30 US gal/min
<b>60 Hz</b>	130 l/min; 34 US gal/min
<b>Power technology</b>	SmartPower™
<b>Electric motor type</b>	ABB
<b>Power*</b>	41 kW
<b>Recommended fuse size*</b>	63 A
<b>Starting device</b>	Soft start/Direct start
<b>Control type</b>	SmartRemote™, portable
<b>Signal code</b>	Digital
<b>Transfer</b>	Professional radio/Cable
<b>Range, radio</b>	Up to 300 m
<b>Machine weight**</b>	5200 kg; 11,464 lbs
<b>Recommended attachment weight</b>	700 kg; 1543 lbs
<b>Sound power level L<sub>WA</sub>***</b>	100 dB(A)

\*Valid for 400 V/50 Hz and 440 V/60 Hz

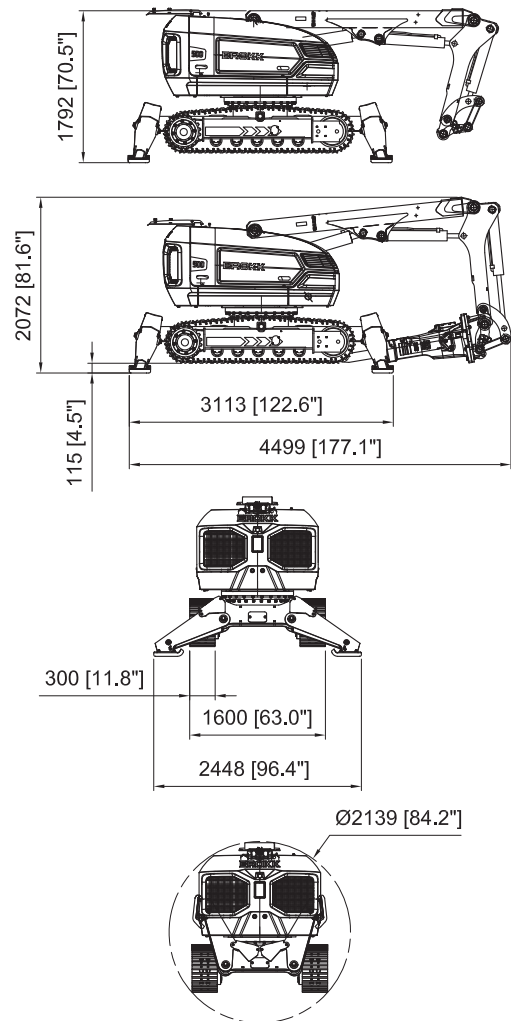
\*\*Excluding options and attachment

\*\*\*Measured according to directive 2000/14/EC, excl. attachment

## OPTIONS

- Extra cylinder protection
- Heavy duty dipper arm
- Rubber caterpillar tracks
- Steel caterpillar tracks
- Heat resistant hoses
- Forced draft cooling for machine
- Forced draft cooling for breaker
- Steel pads
- Atomized water mist **NEW!**
- Air flushing for breaker
- Water spray for breaker
- Extra hydraulic function
- Drainage hose
- CAN cable connection
- Counterweight
- Cable reel
- Lifting eyes (regular lifting points are standard)
- Motion warning

## SIZE



## RANGE

