

Receiver
From

 Society
 Reference
 Address
 Phone
 Fax
 E-mail

Item n° :

103040320

Model :

FEKA VS 1200 M - A

Pump data

 Free passage : 1.9685 inch
 Pressure rating :
 Min. fluid temperature : 0
 Max. fluid temperature : 122 °F
 Max. Temperature operating : 104 °F

Requested data

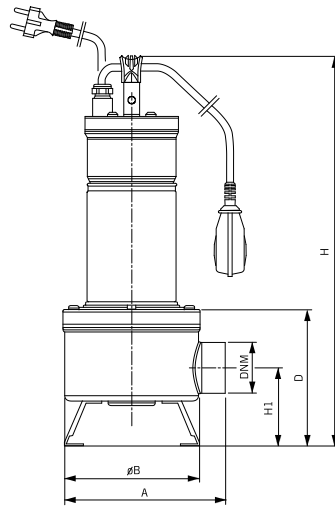
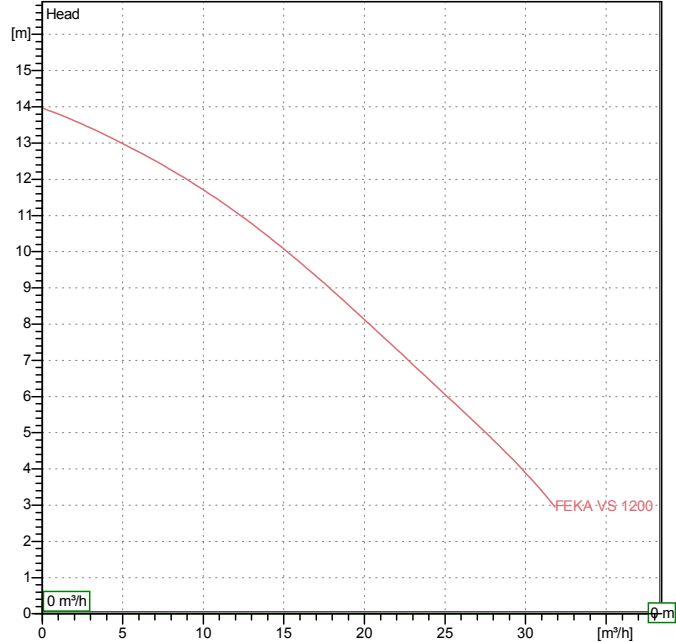
 Flow : 0 m³/h
 Head : 0 m
 Fluid : Water, pure
 Fluid Temperature : 68 °F
 Density : 62.322 lb/ft³
 Kinematic viscosity : 1.0818E-5 ft²/s
 Vapor pressure : 100 kPa

Hydraulic data (duty point)

 Flow :
 Head :

Materials

 Pump body : AISI 304
 Impeller : AISI 304
 Motor shaft : AISI 316
 Seal disk : AISI 304
 Motor casing : AISI 304
 Protection cover : AISI 304
 Mechanical seal pump side : Silicon carbide

Curve tolerance according to ISO 9906

Motor data
Weight : 20.8 kg

 Motor brand : DAB
 Nominal power P2: 1.6092 hp
 Rated speed : 3500 rpm
 Rated voltage : 1~ 220-230 V
 Nominal current : 8.5 A
 Degree of protection : IP 68

60 Hz

Dimensions in inch

Dimension	Value				
A	7.9921				
B	6.6929				
D	6.7717				
DNM	2" NPT				
H	21.142				
H1	3.8583				

Pump connection

 Suction side : /
 Discharge side : 2 " NPT-F / --



WATER • TECHNOLOGY

PERFORMANCE CURVES

08/09/2014

Page 2 / 3

DAB PUMPS S.p.A.
Via Marco Polo, 14 - 35035 Mestrino (PD), Italy
Tel. +39 049 5125000 - Fax +39 049 5125950
www.dabpumps.com

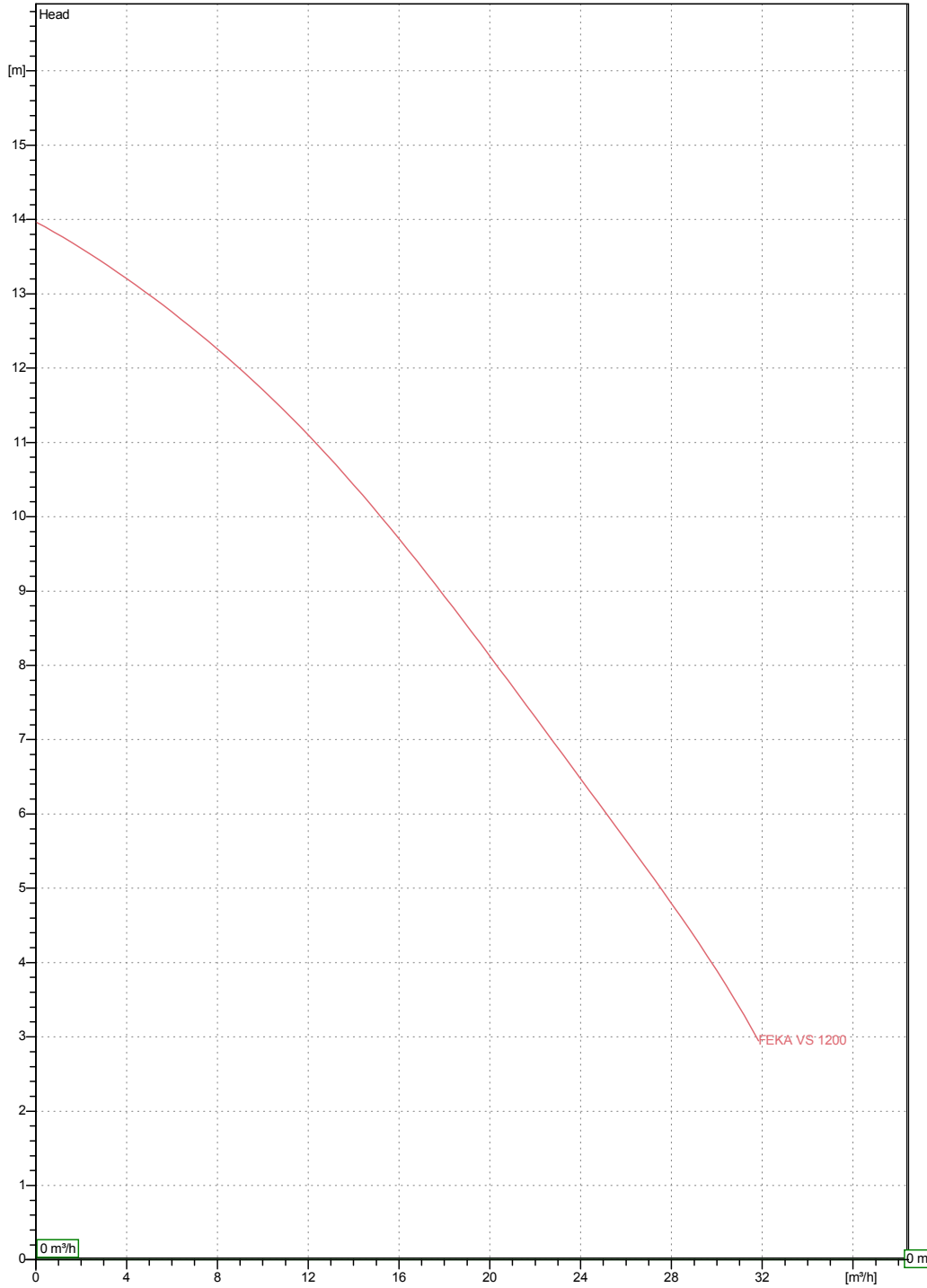
Receiver

From

Society
Reference
Address
Phone
Fax
E-mail

FEKA VS 1200 M - A

Curve tolerance according to ISO 9906



Hydraulic data (duty point)

Suction side	Discharge side 2 " NPT-F --	Flow : 0 m³/h	Head : 0 m	Rated speed : 3500 rpm
Project	Project ID	Created by	Created on 08/09/2014	



WATER • TECHNOLOGY

DIMENSIONAL DRAWING

08/09/2014

Page 3 / 3

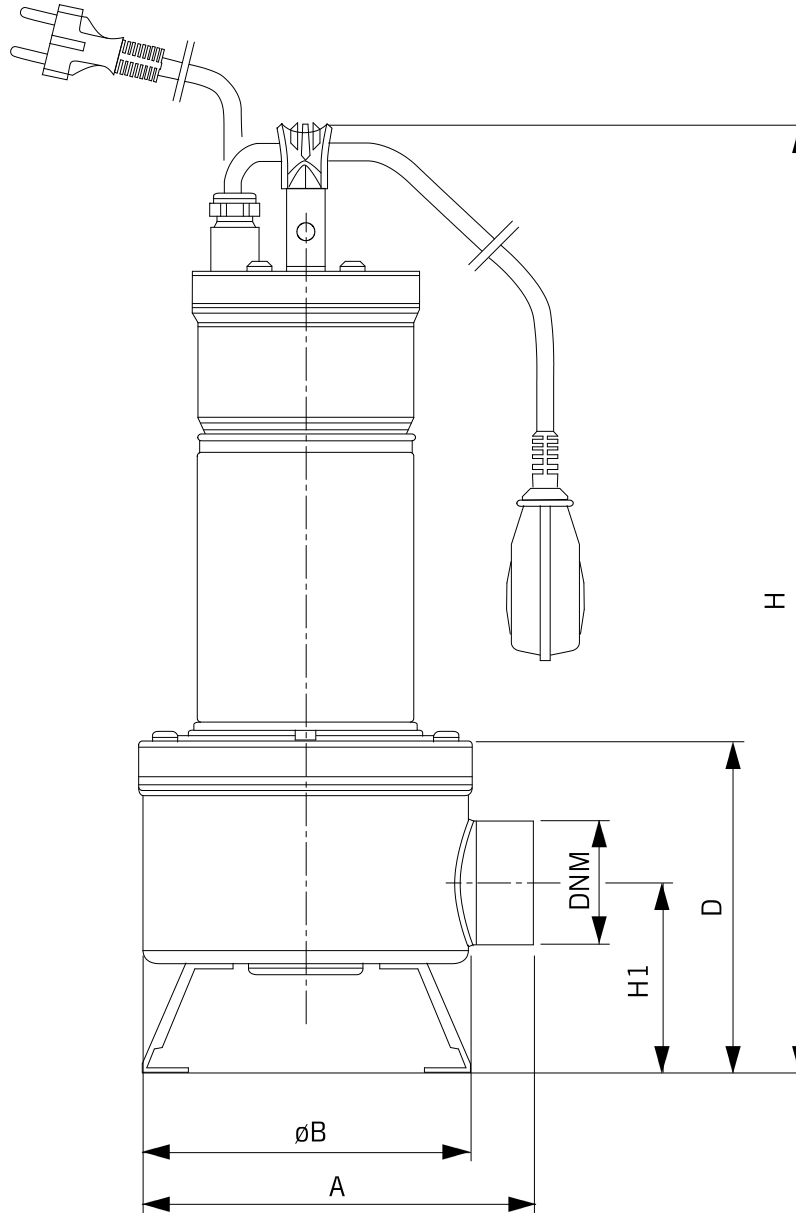
DAB PUMPS S.p.A.
Via Marco Polo, 14 - 35035 Mestrino (PD), Italy
Tel. +39 049 5125000 - Fax +39 049 5125950
www.dabpumps.com

Receiver

From

Society
Reference
Address
Phone
Fax
E-mail

FEKA VS 1200 M - A



Dimensions in inch

1	A	7.9921
2	B	6.6929
3	D	6.7717
4	DNM	2" NPT
5	H	21.142
6	H1	3.8583

Pump connection

Suction

Discharge
2 " NPT-F
-

Project

Project ID

Created by

Created on

08/09/2014